

Packaging - Specification

ECOBULK

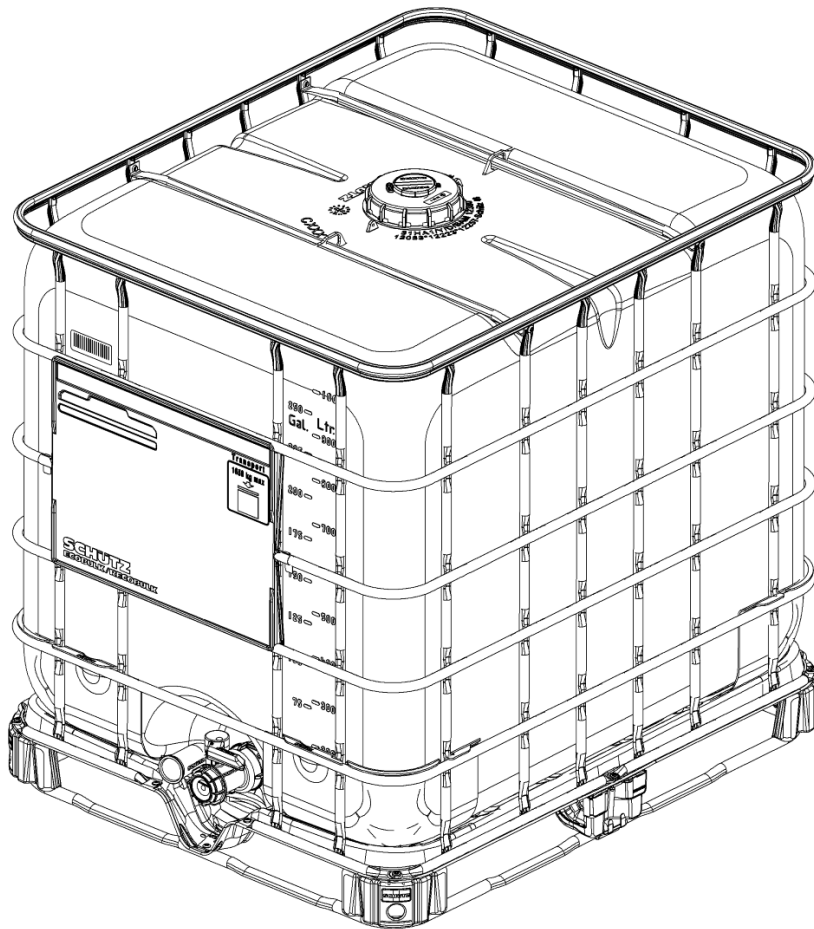
SCHÜTZ

Transportcontainer ECOBULK 1000 ltr.
MX1000 UN Ex Nano Nat/150R TP 2"Vent
Bfly 50 00 Met 3PCS/Steel Frame
2-Pit XXL:XXL/TI

Schütz (Benelux) B.V.
Westelijke Randweg 23
4791RT KLUNDERT
NETHERLANDS

Article-No. 4036055
Customer material 5405539

Date Aug 7, 2018
Page 1 / 4



This picture is for illustration purpose only and does not necessarily correspond to the specified product.

Weights and measures

Nominal Capacity	1.000 Liter
Brimful Capacity	1.060 Liter
Length	1.200 mm
Width	1.000 mm
Height with pallet	1.160 mm
Total weight approx	54,0 kg

Pallet

Pallet type	Steel-framepallet, zined
Opening height	min. 90mm, 4-way entry

Packaging - Specification ECOBULK

SCHÜTZ

Transportcontainer ECOBULK 1000 ltr.
MX1000 UN Ex Nano Nat/150R TP 2"Vent
Bfly 50 00 Met 3PCS/Steel Frame
2-Plt XXL:XXL/TI

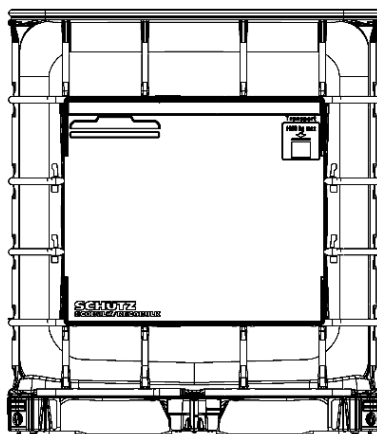
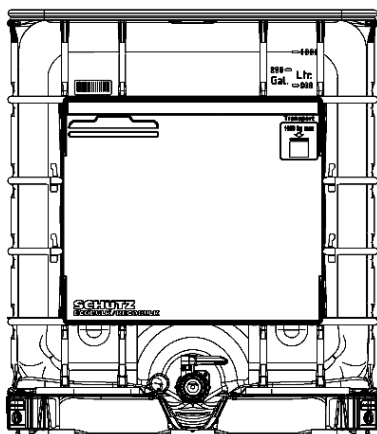
Schütz (Benelux) B.V.
Westelijke Randweg 23
4791RT KLUNDERT
NETHERLANDS

Article-No. 4036055
Customer material 5405539

Date Aug 7, 2018
Page 2 / 4

Outer container

Grid	Steel, galvanized
Bottom plate	Steel, galvanized
Label plate	XXL - 12 field, with Schütz-Ticket
additional label plate	back side XXL - 12 field



Inner container

Rectangular blow molded tank of high density polyethylene
Container PE-HD, natural

Filling opening

Screw cap	DN150 / 6", PE-HD, red
O-ring gasket	TPE
Sealing-cap	red



Packaging - Specification ECOBULK

SCHÜTZ

Transportcontainer ECOBULK 1000 ltr.
MX1000 UN Ex Nano Nat/150R TP 2"Vent
Bfly 50 00 Met 3PCS/Steel Frame
2-Plt XXL:XXL/TI

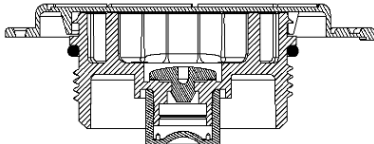
Schütz (Benelux) B.V.
Westelijke Randweg 23
4791RT KLUNDERT
NETHERLANDS

Article-No. 4036055
Customer material 5405539

Date Aug 7, 2018
Page 3 / 4

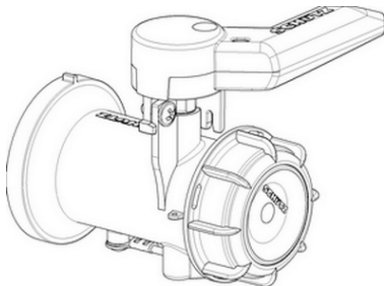
Plug

G2"plug w/vent (Silicone)



Discharge opening

Outlet valve	integr.butterfly-valve DN50/2"
Case	PE-HD
Connection thread	metric
Flap gasket / Ball gasket	PP
Handle color	blue, Handle protection
Screw cap	PE-HD
Screw cap gasket	PE, foamed
Screw cap color	black
Outlet nozzle	PE-HD
Grounding sheet	Stainless steel (V4A)



Features

Certification for EX zones

Certified for EX zones 1 and 2 according IEC TS 60079-32-1 and TRGS 727.

UN-Marking

UN_31HA1/Y/mm yy/D/BAM14977-Schütz#/4056/1723/1060I/54kg/100kPa

Heavy metals

Concentration level of heavy metals (Pb, Cd, Cr VI and Hg) in packaging does not exceed 100 ppm

Delivery

Ready for filling. The customer or filler is responsible for testing the material compability of the filling material with the packaging

User information:

By implementing and continually improving extensive preventive programmes, SCHÜTZ strives towards minimising the potential contamination risk for filling material in line with the current state of the art and in accordance with recognised and applicable quality and system standards. In industrial manufacturing, however, the possibility of particles arising cannot be fundamentally and entirely eliminated. Specifically for plastic and steel packaging, unavoidable friction during opening and closing as well as static charging of the packaging contribute to the development of particles and/or the possibility of particles being attracted. Such particles can then also invariably penetrate the packaging interior. With the goal of minimising the risk of particle formation and transmission into packaging, users are recommended – particularly during further processing – to keep packaging closed wherever possible and to keep the number of opening and closing procedures as low as possible.

Packaging - Specification
ECOBULK



Transportcontainer ECOBULK 1000 ltr.
MX1000 UN Ex Nano Nat/150R TP 2"Vent
Bfly 50 00 Met 3PCS/Steel Frame
2-Plt XXL:XXL/TI

Schütz (Benelux) B.V.
Westelijke Randweg 23
4791RT KLUNDERT
NETHERLANDS

Article-No. 4036055
Customer material 5405539

Date Aug 7, 2018
Page 4 / 4

In the case of sensitive filling materials or filling material applications (e.g. for food/pharmaceutical products, paint or electro-chemicals), it is also recommended that the filling material is filtered on removal or prior to further processing.

SCHÜTZ reserves the right to change the construction, technology, design and material of the product or individual components without notice. The dimensions and weights given here are approximate and can vary according to the configuration of the individual components. For other product details and operating information concerning the correct handling of our packaging, please consult our Handling Guide.